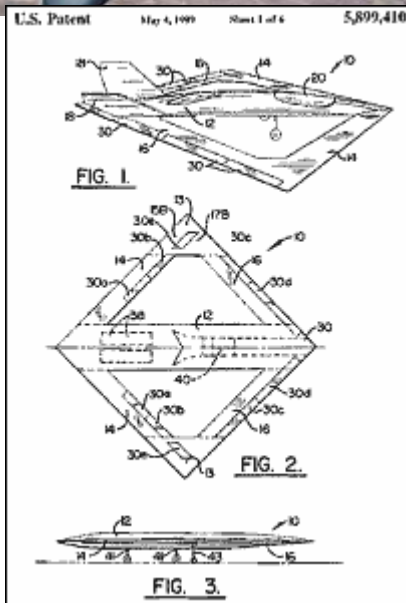


UQ in Flow-Structure Interactions



- ❑ Certification & Operation of Existing Vehicles
 - *Aeroelastic certification*
 - *Flutter clearance*
- ❑ Design of Future Revolutionary Vehicles
 - *Joined-Wing Configurations*
 - *Flapping MAVs*



Uncertainties:

- Spatially Non-uniform Gusts
- Material Properties, Constitutive Laws
- Flow Modeling

